

Signal conditioner - MCR-FL-C-UI-2UI-DCI-NC - 2814867

Please be informed that the data shown in this PDF Document is generated from our Online Catalog. Please find the complete data in the user's documentation. Our General Terms of Use for Downloads are valid (<http://phoenixcontact.com/download>)




MCR signal multiplier, for doubling and electrical isolation of analog signals, unconfigured

Your advantages

- ✓ Calibrated selectable input and output signals
- ✓ 4-way isolation



Key Commercial Data

Packing unit	1 pc
GTIN	 4 017918 820336
GTIN	4017918820336
Weight per Piece (excluding packing)	139.200 g
Custom tariff number	85437090
Country of origin	Germany

Technical data

Dimensions

Width	17.5 mm
Height	99 mm
Depth	114.5 mm

Ambient conditions

Ambient temperature (operation)	-25 °C ... 55 °C
---------------------------------	------------------

Input data

Description of the input	Current input
--------------------------	---------------

Signal conditioner - MCR-FL-C-UI-2UI-DCI-NC - 2814867

Technical data

Input data

Number of inputs	1
Configurable/programmable	Yes, unconfigured
Current input signal	0 mA ... 24 mA (freely selectable in 0.1 mA steps)
Max. input current	50 mA
Input resistance current input	50 Ω
Description of the input	Voltage input
Configurable/programmable	Yes, unconfigured
Voltage input signal	0 V ... 12 V (freely selectable in 0.1 V steps)
max. input voltage	30 V
Input resistance of voltage input	200 k Ω

Output data

Output name	Current output
Number of outputs	2
Configurable/programmable	Yes, unconfigured
Voltage output signal	0 V DC ... 10 V DC
	2 V DC ... 10 V DC
	0 V DC ... 5 V DC
	1 V DC ... 5 V DC
Current output signal	see order key / configuration table
Max. output current	35 mA
Load/output load current output	$\leq 600 \Omega$
Output name	Voltage output
Configurable/programmable	Yes, unconfigured
Voltage output signal	see order key / configuration table
Max. output voltage	15 V
Load/output load voltage output	$\geq 10 \text{ k}\Omega$

Power supply

Supply voltage range	20 V DC ... 30 V DC
Max. current consumption	< 25 mA

General

No. of channels	2
Maximum transmission error	$\leq 0.15 \%$ (of final value)
Transmission error, typical	0.05 % (of final value)
Maximum temperature coefficient	< 0.015 %/K
Temperature coefficient, typical	0.0075 %/K
Limit frequency (3 dB)	30 Hz

Signal conditioner - MCR-FL-C-UI-2UI-DCI-NC - 2814867

Technical data

General

Step response (10-90%)	12 ms
Protective circuit	Transient protection
Test voltage, input/output/supply	1.5 kV (50 Hz, 1 min.)
Color	green
Housing material	Polyamide PA non-reinforced
Mounting position	any

Standards and Regulations

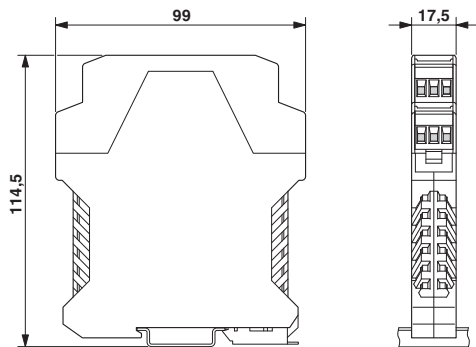
Connection in acc. with standard	CUL
Conformance	CE-compliant
UL, USA/Canada	Class I, Div. 2, Groups A, B, C, D or Non-Hazardous Locations

Environmental Product Compliance

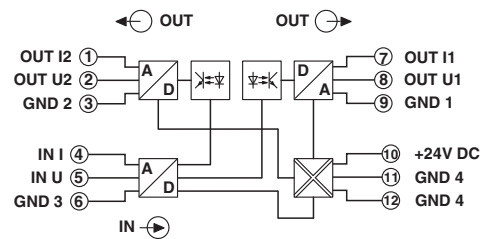
China RoHS	Environmentally Friendly Use Period = 50 years
	For details about hazardous substances go to tab "Downloads", Category "Manufacturer's declaration"

Drawings

Dimensional drawing

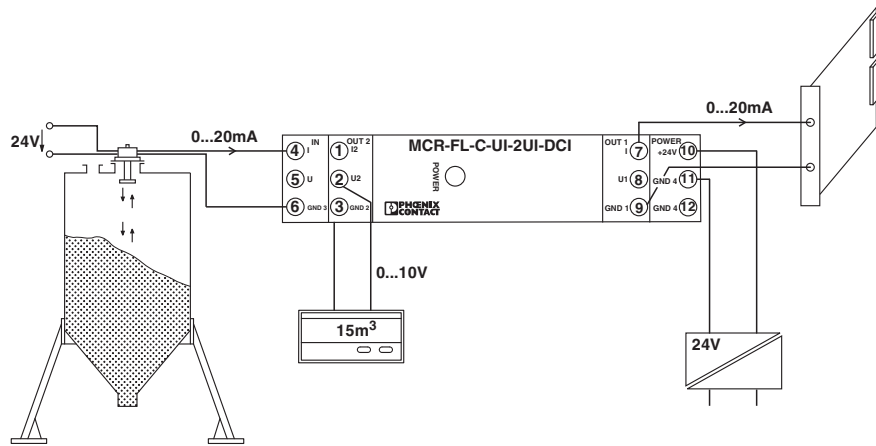


Circuit diagram



Signal conditioner - MCR-FL-C-UI-2UI-DCI-NC - 2814867

Application drawing



Application example: - Level measurement with subsequent signal multiplication

- 1 = filling level sensor
- 2 = control
- 3 = mains voltage

Classifications

eCl@ss

eCl@ss 10.0.1	27210120
eCl@ss 4.0	27210120
eCl@ss 4.1	27210120
eCl@ss 5.0	27210120
eCl@ss 5.1	27210100
eCl@ss 6.0	27210100
eCl@ss 7.0	27210120
eCl@ss 9.0	27210120

ETIM

ETIM 4.0	EC002653
ETIM 6.0	EC002653

UNSPSC

UNSPSC 6.01	30211506
UNSPSC 7.0901	39121008
UNSPSC 11	39121008
UNSPSC 12.01	39121008
UNSPSC 13.2	39121008
UNSPSC 19.0	39121008

